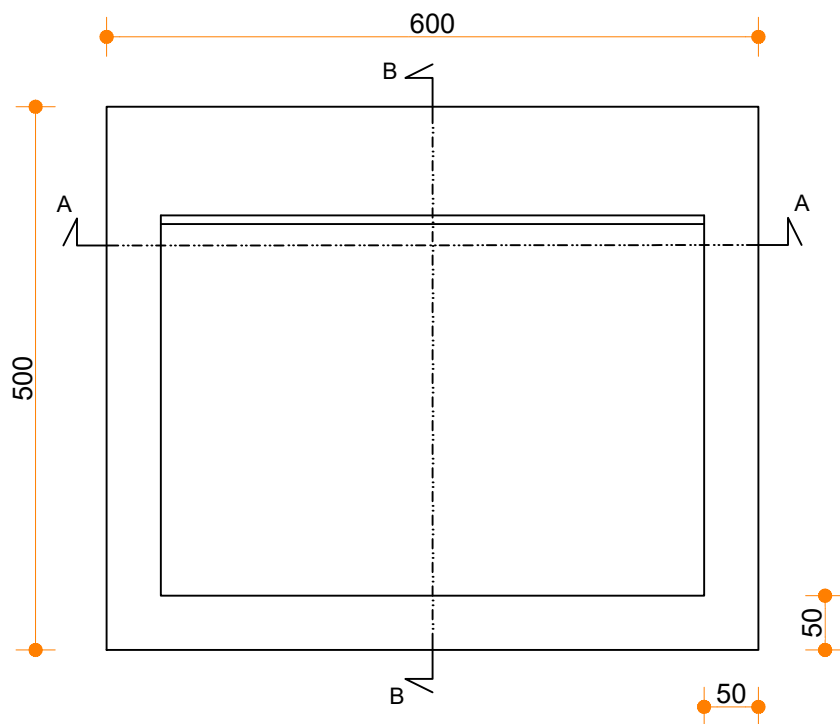
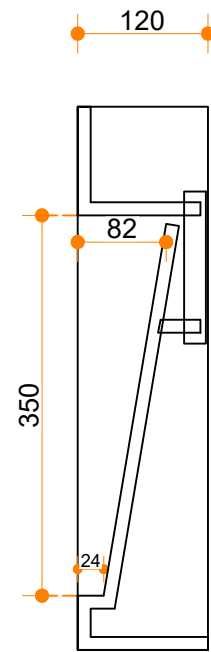


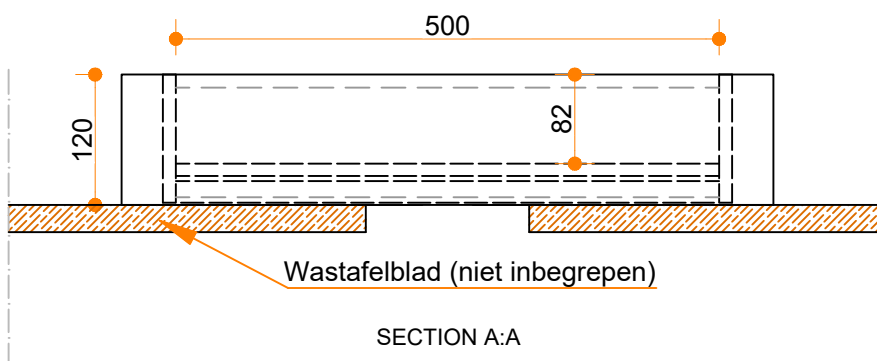
Traverso opzetbak 600 x 500



PLAN VIEW



SECTION B:B



SECTION A:A